

TUMBLE DRYERS

WHEN INVESTING MEANS SAVING

DD23 GOLD

FEATURES

- Construction in grey skinplate, stainless steel look.
- Big loading door (opening of 180°).
- Direct drive through a gearbox, no pulley.
- ENERGY SAVINGS: Air recovery system for great energy efficiency.
- CARE DRY: The intelligent humidity sensor offers a precise control of the moisture in the linen. By this system the drying cycle will automatically stop when it reaches the set level of residual moisture.
- INSULATED PANELS & DOUBLE DOOR GLASS: The complete circuit of the air-flow has been thermally insulated in order to optimize the energy to heat the air and to maximize the energy efficiency. Double doorglass.
- OPTIMAL FLOW: The range of GOLD dryers complements the axial-radial air flow with side and front openings to increase and optimize the airflow circuit, achieving the most efficient drying conditions.
- SPRINKLER: Integrated Fire Extinguishing System.
- ELECTRONIC CONTROL: Easy and intuitive to use, the electronic control offers a complete control of the process.
- REVERSING DRUM: All models offer the reverse turning of the drum.
- STAINLESS STEEL DRUM standard.
- GENTLE DRY: The new drum with stamped holes makes sure the linen is gently handled.
- New filter drawer with wide surface and improved airflow.
- Cool Down: Anti-wrinkle at the end of cycle.
- Models available in electric, gas or steam heating.



OPTIONS

- Stainless steel body.
- Stainless steel front panel.
- Low pressure steam battery.
- Model versions in 60 Hz.
- Marine versions 440V III 50/60 Hz No neutral or 480V III 50/60 Hz No neutral.



Air recyclé



Contrôle de l'humidité et réglage automatique du tambour



Carrosserie isolée



Double flux Axial & Radial

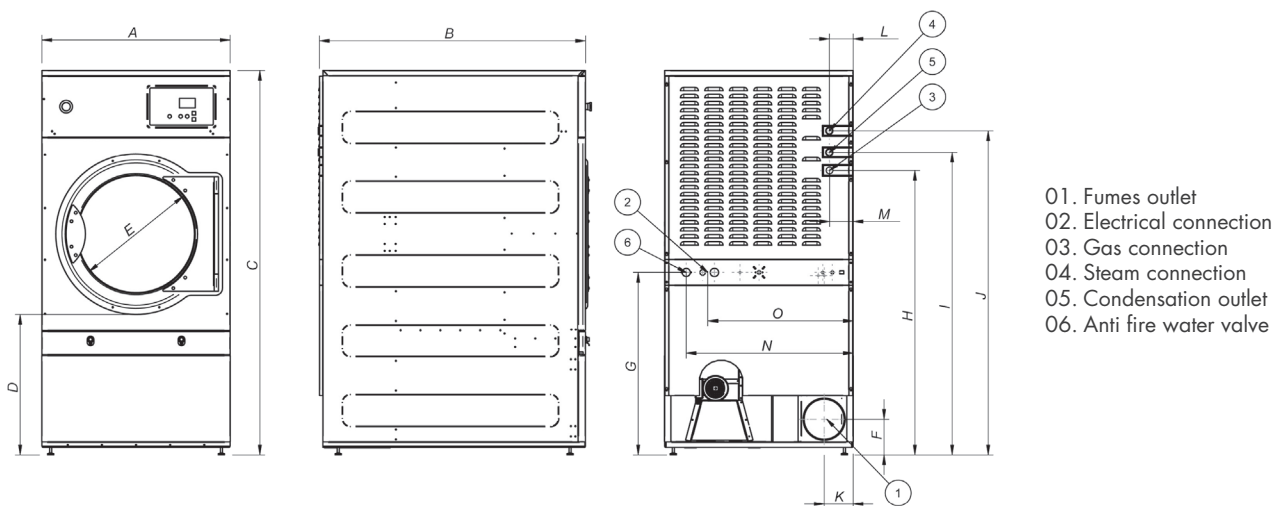


Système anti-feu



Hublot double vitrage

TECHNICAL DATA	UNIT.	DD23 GOLD	
CAPACITY			
Capacity 1/18	Kg	26	
Capacity 1/20	Kg	23	
Hourly Output GOLD	Kg/h	60	
Evaporation capacity GOLD	l/h	35,1	
DRUM			
Ø Drum	mm	855	
Ø Door	mm	574	
Door center height	mm	1030	
Load hole bottom height	mm	743	
Drum length	mm	800	
Drum volume	l	460	
POWER			
Drum motor power	Kw	0,37	
Fan Motor Power GOLD	Kw	0,75	
Total Installed power GOLD	Kw	25,17	
Electric Heating (Installed power)	Kw	24	
Gas heating (installed Power) in KW	Kw	31	
Gas heating (installed el. power) GOLD	Kw	1,17	
Steam heating (Steam Power KW)	Kw	49,2	
Steam heating (installed el. power) GOLD	Kw	1,17	
CONNECTIONS		ELECTRICAL	STEAM / GAS
Tension 230V - I + T	N° x mm ² / A	-	3 x 1,5 / 20A
Tension 230V - III + T	N° x mm ² / A	4 x 25 / 80A	4 x 1,5 / 20A
Tension 400V - III + N + T	N° x mm ² / A	5 x 10 / 40A	5 x 1,5 / 20A
DIMENSIONS / PACKING DIMENSIONS			
Width / Width	mm	890/970	
Depth / Depth	mm	1245/1345	
Height / Height	mm	1812/1940	
Height without heating battery	mm	-	
Net weight / Gross weight	Kg	210/230	
OTHERS			
Max airflow GOLD	m ³ /h	1500	
Ø Fume exhaust	mm	200	
Noise level GOLD	dB	65	



	A	B	C	D	E	F	G	H	I	J	K	L	M	N	O
DD23	890	1245	1817	672	574	168	862	1344	1430	1532	137	113	112	787	685