

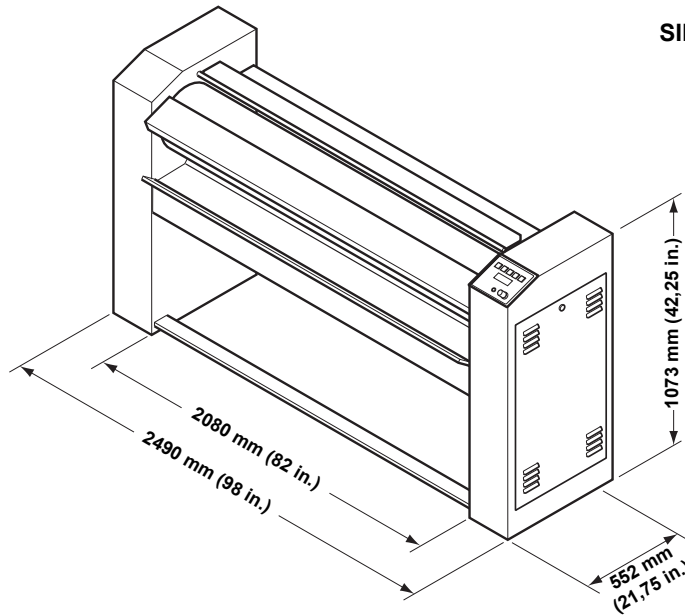
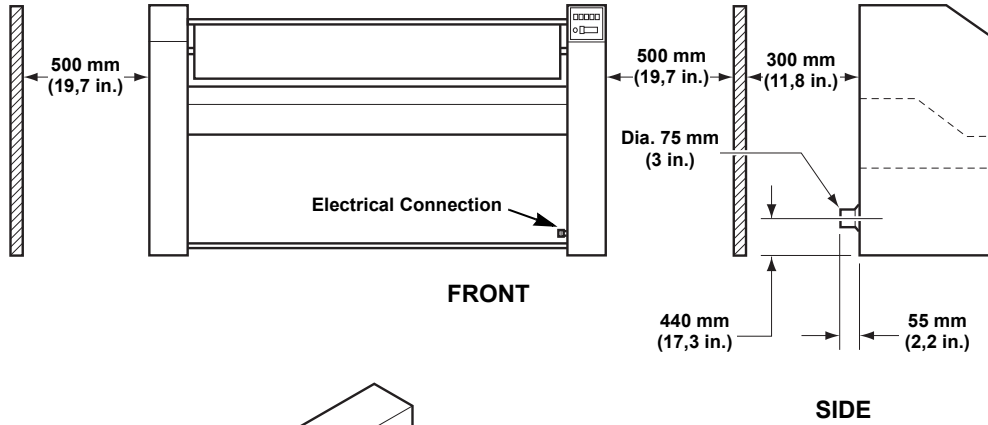


# Machine Dimensions and Specifications

Model IRI2000/30AV

Electric

## Dimensions



FWF7L

## Specifications

Net Weight	243 kg (536 lbs.)
Roller Dimensions	Dia. 300 x 2000 mm (Dia. 12 x 79 in.)
Ironing Speed	1,8 ÷ 4,6 m/min. (6 ÷ 15 ft./min.)
Heating Power	15 kW
Total Power	16,1 kW

## Electrical Specifications

Voltage	Cycle	Phase	Full Load Amps
230	50	1	46
400	50	3	26