

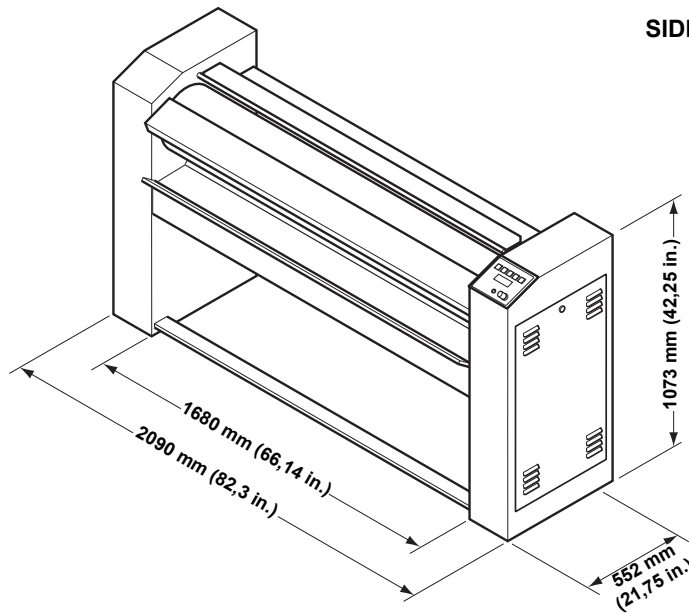
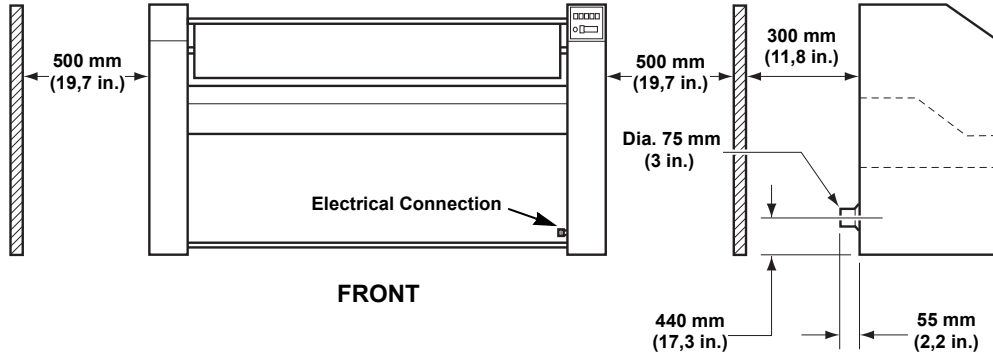


Machine Dimensions and Specifications

Model IRI1600/30, IRI1600/30A and IRI1600/30AV

Electric

Dimensions



FWF7L

Specifications

Net Weight		221 kg (487 lbs.)
Roller Dimensions		Dia. 300 x 1600 mm (Dia. 12 x 63 in.)
Ironing Speed	IRI1600/30, /30A	4,18 m/min. (13,7 ft./min.)
	IRI1600/30AV	1,8 ÷ 4,6 m/min. (6 ÷ 15ft./min.)
Heating Power		11,4 kW
Total Power	IRI1600/30, /30A	12,32 kW
	IRI1600/30AV	12,5 kW

Electrical Specifications

Voltage	Cycle	Phase	Full Load Amps
230	50	1	36,5
400	50	3	21