

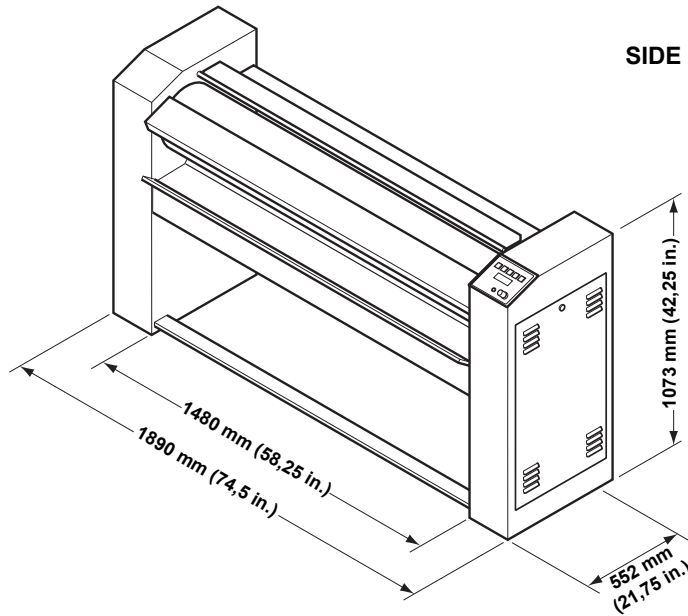
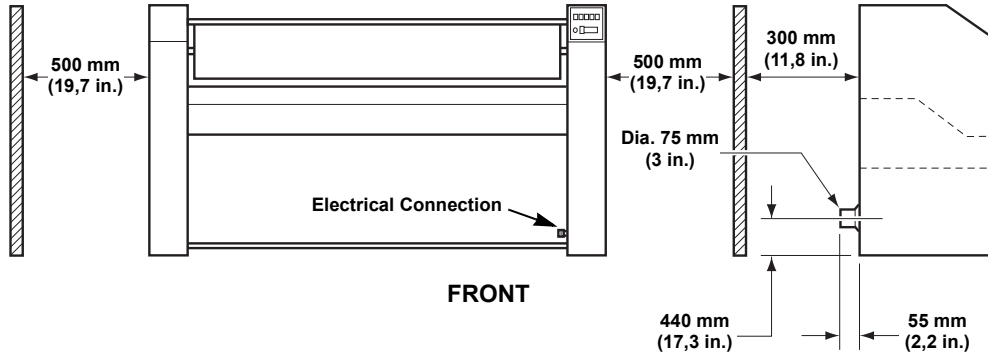


Machine Dimensions and Specifications

Model IRI1400/30AV

Electric

Dimensions



FWF7L

Specifications

Net Weight	209 kg (461 lbs.)
Roller Dimensions	Dia. 300 x 1400 mm (Dia. 12 x 55 in.)
Ironing Speed (Variable)	1,8 ÷ 4,6 m/min. (6 ÷ 15 ft./min.)
Heating Power	9,9 kW
Total Power	11 kW

Electrical Specifications

Voltage	Cycle	Phase	Full Load Amps
230	50	1	32
400	50	3	19,5