

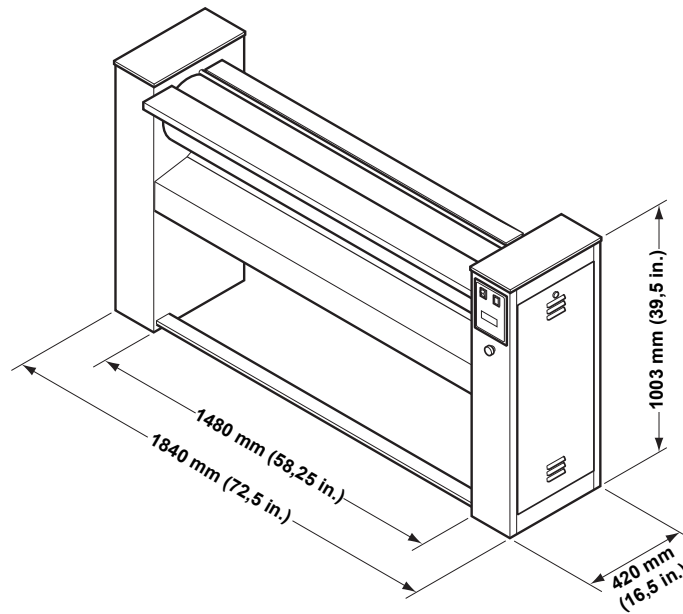
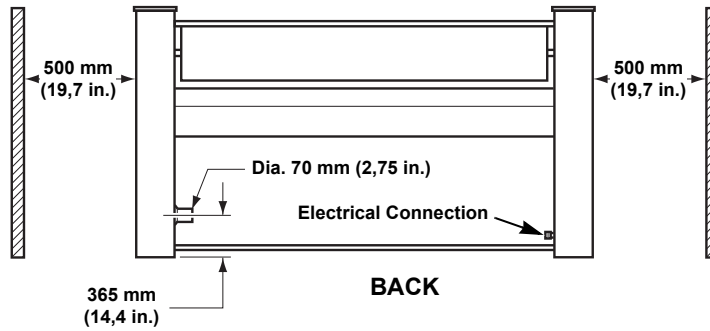


# Machine Dimensions and Specifications

Model IRI1400/25 and IRI1400/25AV

Electric

## Dimensions



FWF4L

## Specifications

Net Weight	106 kg (234 lbs.)
Roller Dimensions	Dia. 250 x 1400 mm (Dia. 10 x 55 in.)
Ironing Speed (IRI1400/25)	3,8 m/min. (12,5 ft./min.)
Heating Power	7,5 kW
Total Power	7,68 kW

## Electrical Specifications

Voltage	Cycle	Phase	Full Load Amps
230	50	1	21,5
400	50	3	13