

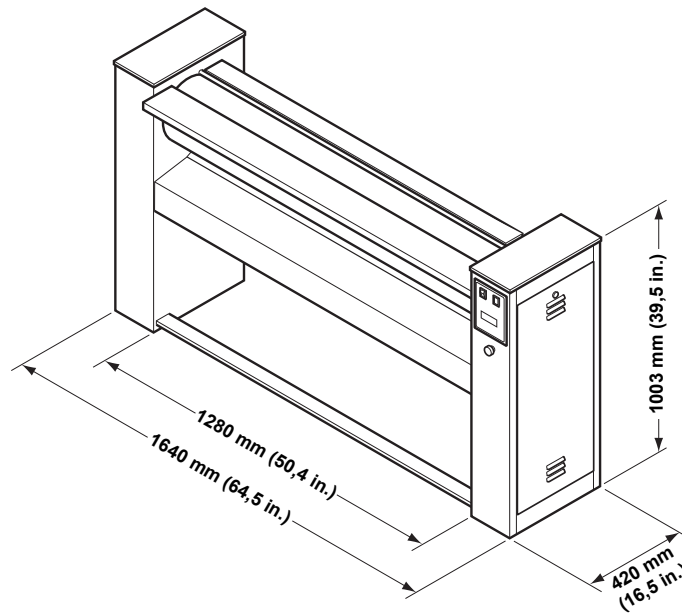
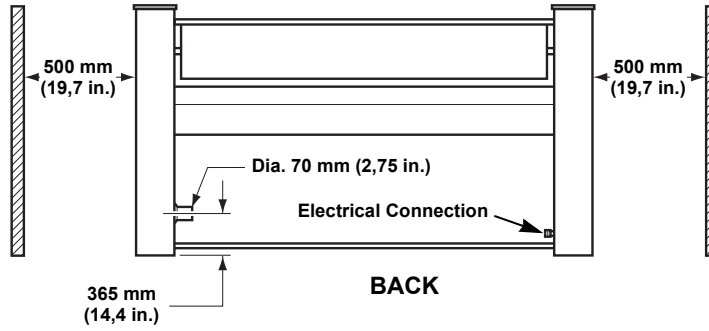


Machine Dimensions and Specifications

Model IRI1200/25

Electric

Dimensions



FWF4L

Specifications

Net Weight	100 kg (220,5 lbs.)
Roller Dimensions	Dia. 250 x 1200 mm (Dia. 10 x 47 in.)
Ironing Speed	3,8 m/min. (12,5 ft./min.)
Heating Power	6,9 kW
Total Power	7,08 kW

Electrical Specifications

Voltage	Cycle	Phase	Full Load Amps
230	50	1	20,5
400	50	3	12