

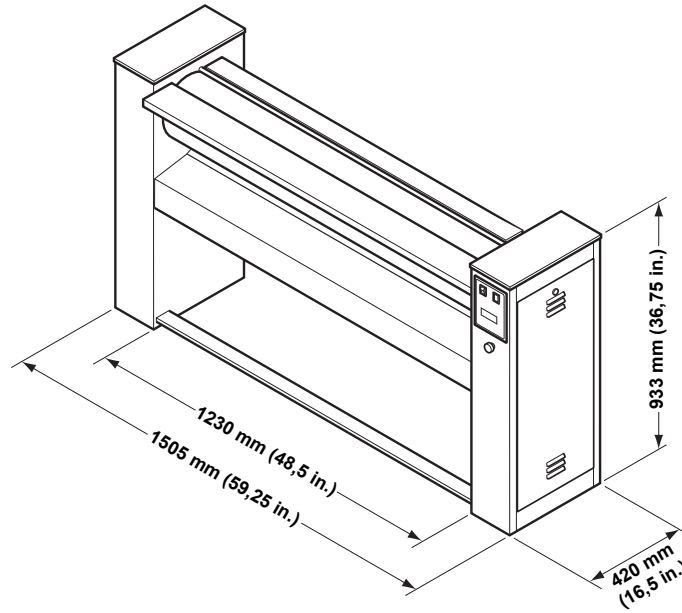
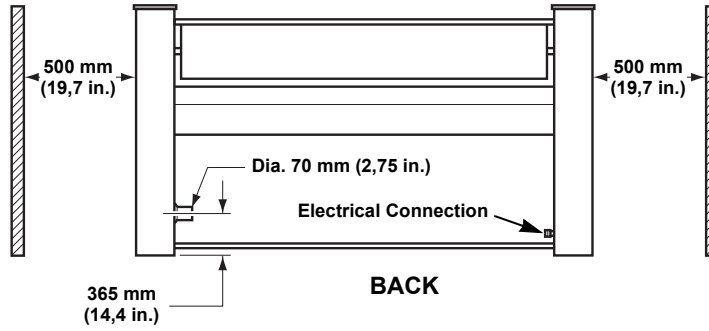


# Machine Dimensions and Specifications

Model IRI1200/20

Electric

## Dimensions



FWF4L

## Specifications

Net Weight	80,5 kg (178 lbs.)
Roller Dimensions	Dia. 200 x 1200 mm (Dia. 8 x 47,25 in.)
Ironing Speed	3,3 m/min. (10,8 ft./min.)
Heating Power	4 kW
Total Power	4,23 kW

## Electrical Specifications

Voltage	Cycle	Phase	Full Load Amps
230	50	1	19
400	50	3	6,7