

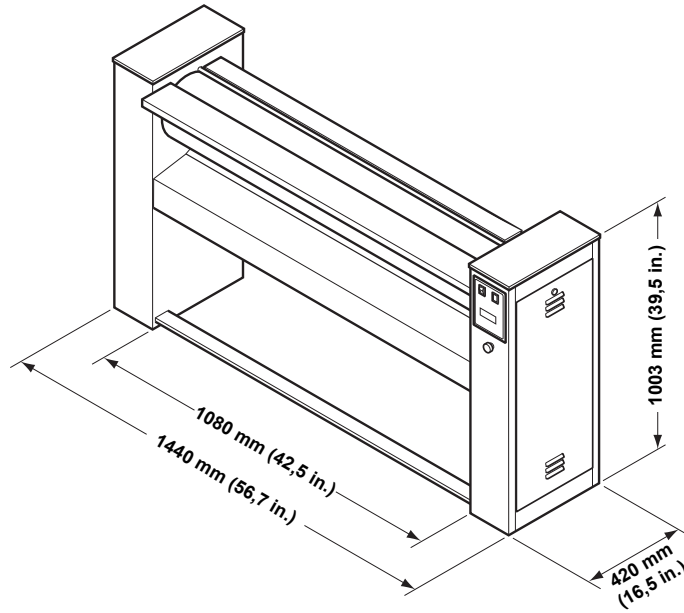
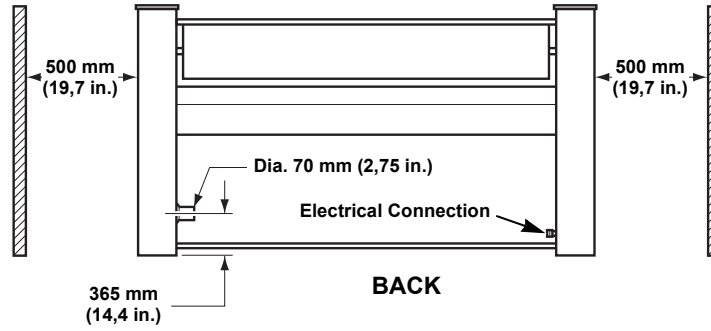


Machine Dimensions and Specifications

Model IRI1000/25

Electric

Dimensions



FWF4L

Specifications

Net Weight	94 kg (207 lbs.)
Roller Dimensions	Dia. 250 x 1000 mm (Dia. 9,8 x 40 in.)
Ironing Speed	3,8 m/min. (12,5 ft./min.)
Heating Power	6 kW
Total Power	6,18 kW

Electrical Specifications

Voltage	Cycle	Phase	Full Load Amps
230	50	1	18
400	50	3	10,5